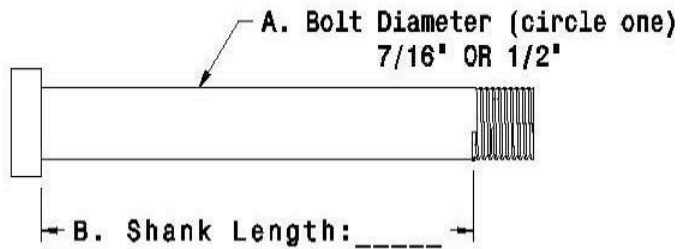




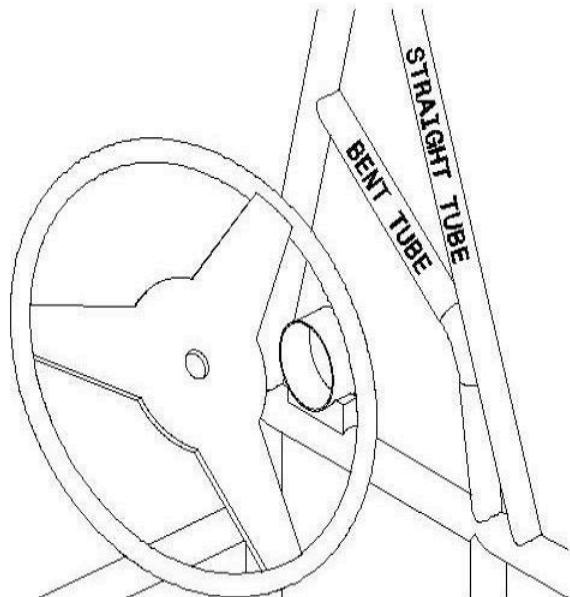
ph. 317 486 9710 fax: 317 486 9160

TORSION ARM BOLT



CONTROL MOUNT TUBE (circle one)

- C. Straight OR Bent Tube?
- D. Tube Diameter: 1" 1.125" 1.25" 1.375"
- E. The control will be on the (left) / (right) side of the cockpit



Customer Name: _____
 Shipping Address: _____

Date: _____
 Phone Number: _____
 Fax Number: _____

Date Needed by: _____
 Car Information: Pave./Dirt Engine Size: _____
 Wing/Non Midget/Sprint/Other
 If Other: _____

Chassis: _____
 Bearing Carriers: _____

